

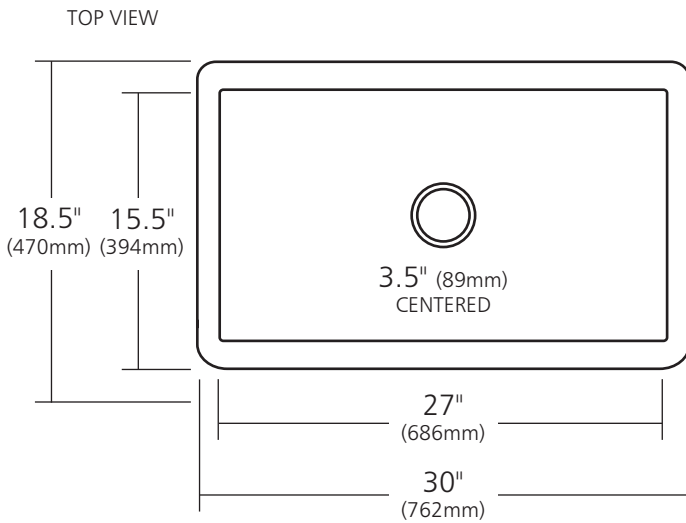
*SPECIFICATIONS*

**FARMHOUSE 30**

*Farmhouse Series*

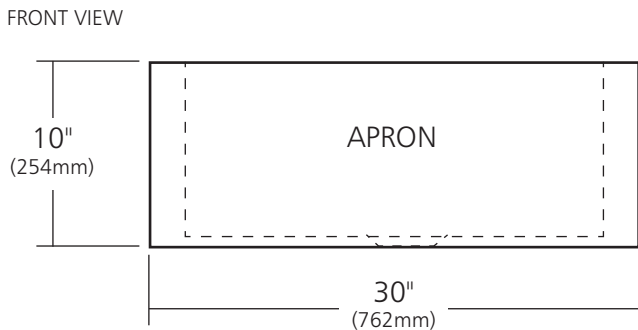


CPK294 Antique  
CPK594 Brushed Nickel



**PRODUCT DETAILS**

- 30" x 18.5" x 10" OD (762mm x 470mm x 254mm)
- 27" x 15.5" x 9.5" ID (686mm x 394mm x 241mm)
- Hand hammered 16 gauge recycled copper
- Apron extends 3" (76mm) on sides
- 3.5" (89mm) drain opening
- Dimensions are not exact and may vary  $\pm .5"$  (13mm)

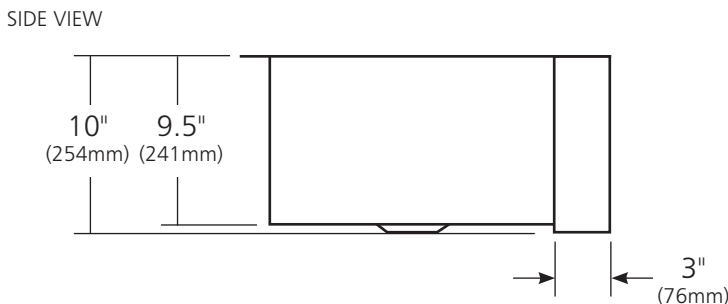


**INSTALLATION**

- Undermount

**COORDINATING PRODUCTS**

- Drains: DR320 or DR340
- Bottom Grid: GR2614



**STANDARDS COMPLIANCE**

- UPC/cUPC compliant

**IMPORTANT**

Due to the handcrafted nature of this product, it will vary in finish, texture, hammering, and other details. Dimensions may vary up to .5" (13mm). We strongly recommend waiting for the actual product before making any installation cuts.